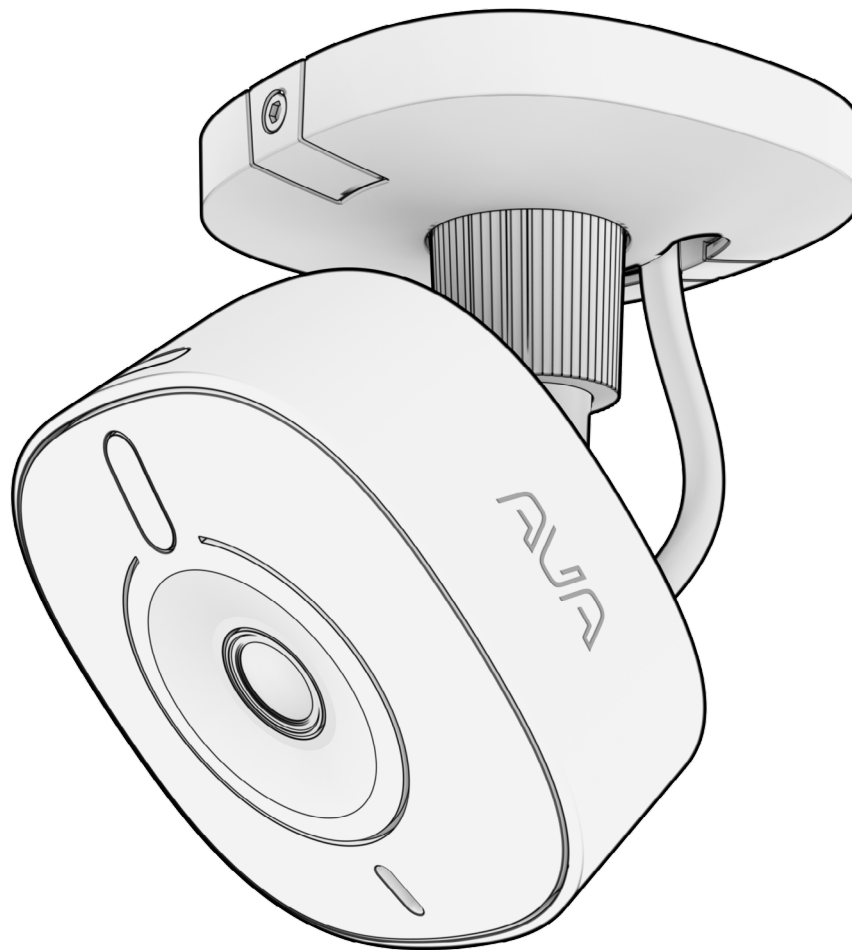


AVA

**FLEX**

Mounting guide

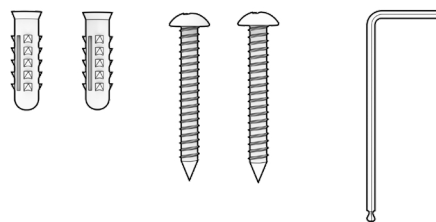
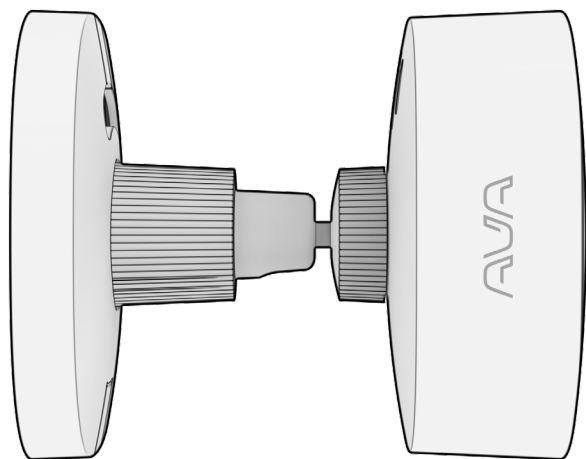




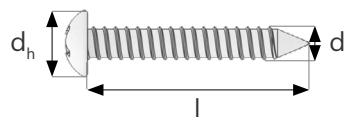
## Important warnings and safety instructions

- ✗ **Avoid** exposing the camera to shocks, high pressure or temperatures above 40°C.
- ✗ **Avoid** placing the camera near fans, ventilation or other noise sources. This will degrade audio performance.
- ✗ **Avoid** placing the camera near fans, ventilation, or other heat sources. This will degrade sensor performance.
- ✗ **Avoid** scratching or leaving fingerprints on the lens, this degrades image quality. If possible, keep the protective plastic on the lens cover during installation.
- ✗ **Do not** clean the camera with harsh detergents, gasoline or chemicals such as Acetone.
- ✗ **Do not** try to repair the unit yourself. Refer all servicing of the camera to Ava or contact a reseller.
- ! Prolonged use of the white LEDs may affect sensor readings.
- ! This product should be supplied by a Power over Ethernet (PoE) Power Sourcing Equipment (PSE) compliant with IEEE 802.3af or USB-C power source rated 5V 1.5A. The power supply should be UL-listed and marked “Limited Power Source” or “LPS”.
- ! The camera and the PoE PSE must be installed within the same building, as described by Environment A of the IEEE 802.3af standard. The PoE PSE must be properly grounded.

## Box content

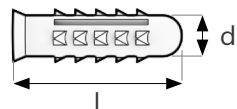


Hex 2.5mm



### Screw dimensions

$d_h = 9.4 \text{ mm}$   
 $l = 32 \text{ mm}$   
 $d = 4 \text{ mm}$

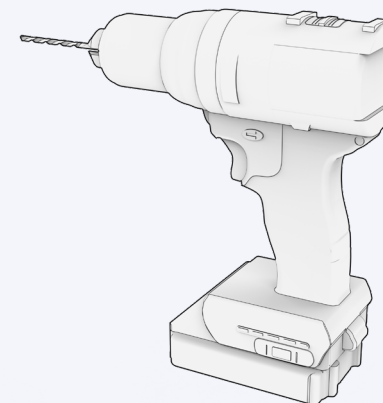
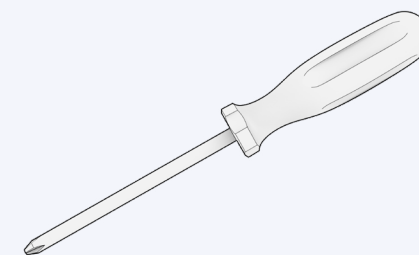


### Anchor dimensions

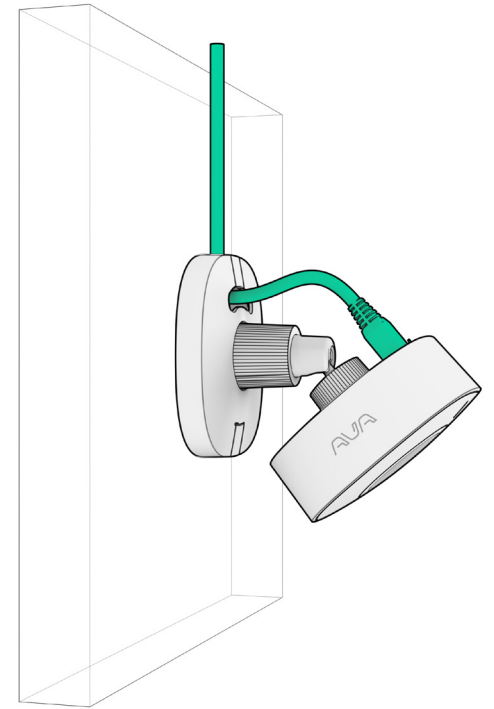
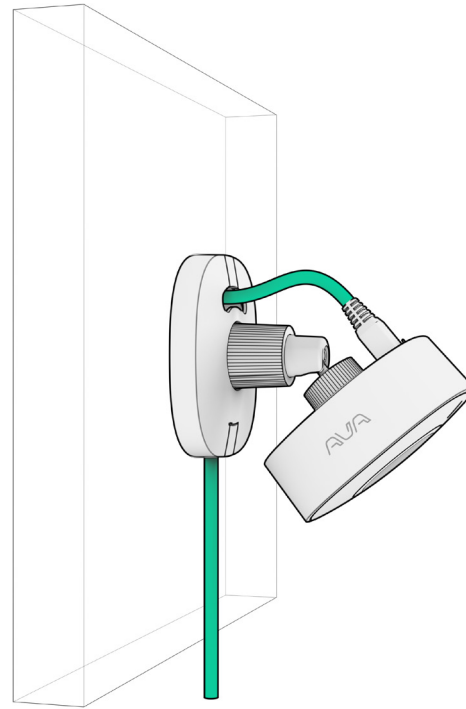
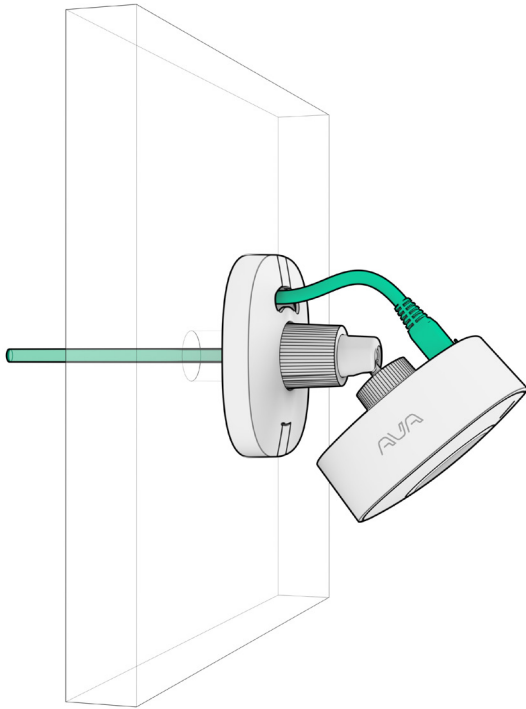
$l = 25 \text{ mm}$   
 $d = \text{Ø}6\text{mm} / \frac{1}{4}''$

## Required:

PH2 screw driver  
 Drill with 6mm (1/4") drill bit"

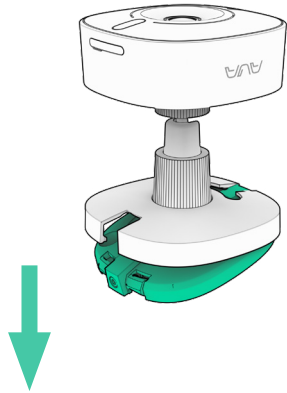


## Cable routing alternatives

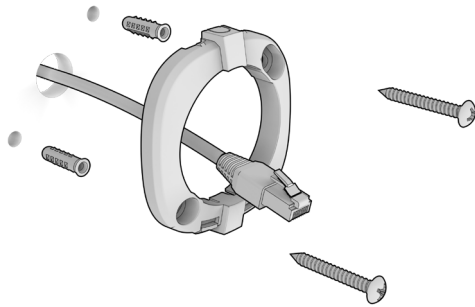


# Installing the bracket

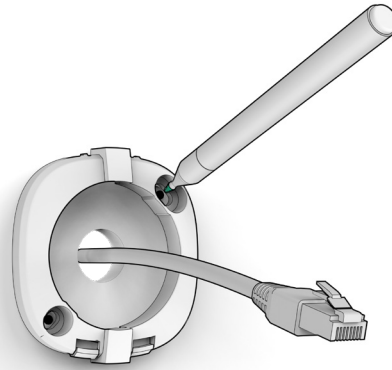
1



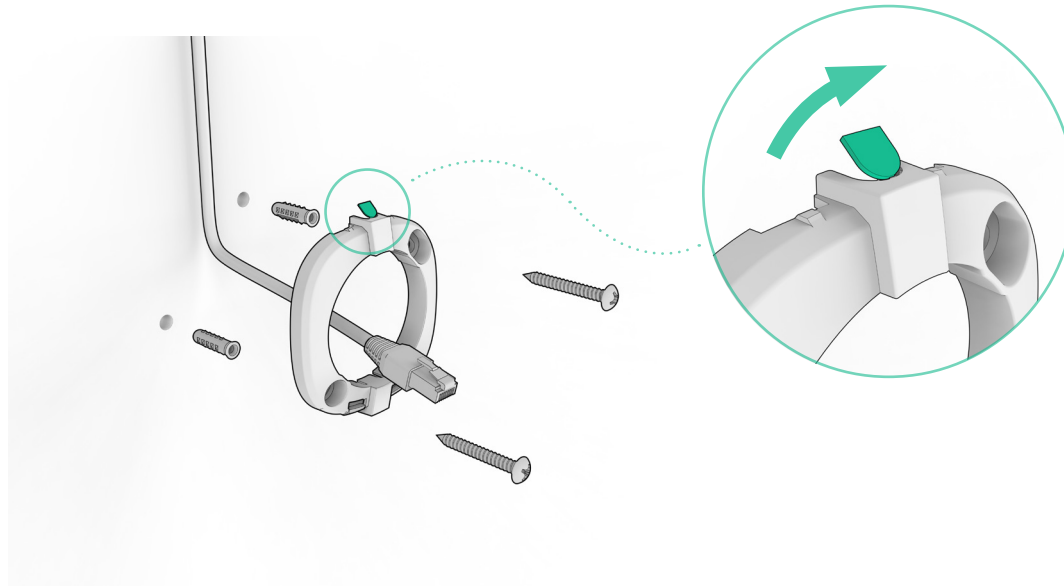
4A Through the wall / ceiling cable



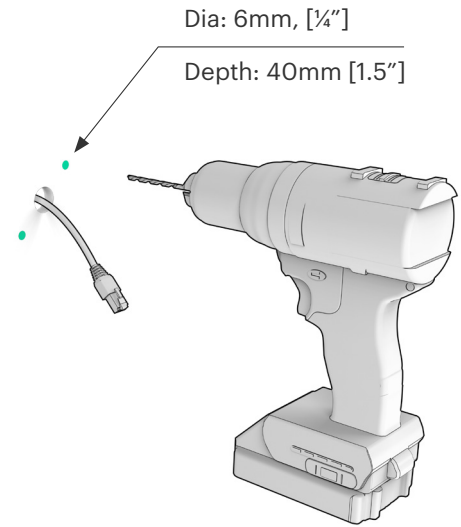
2



4B Side entry cable



3

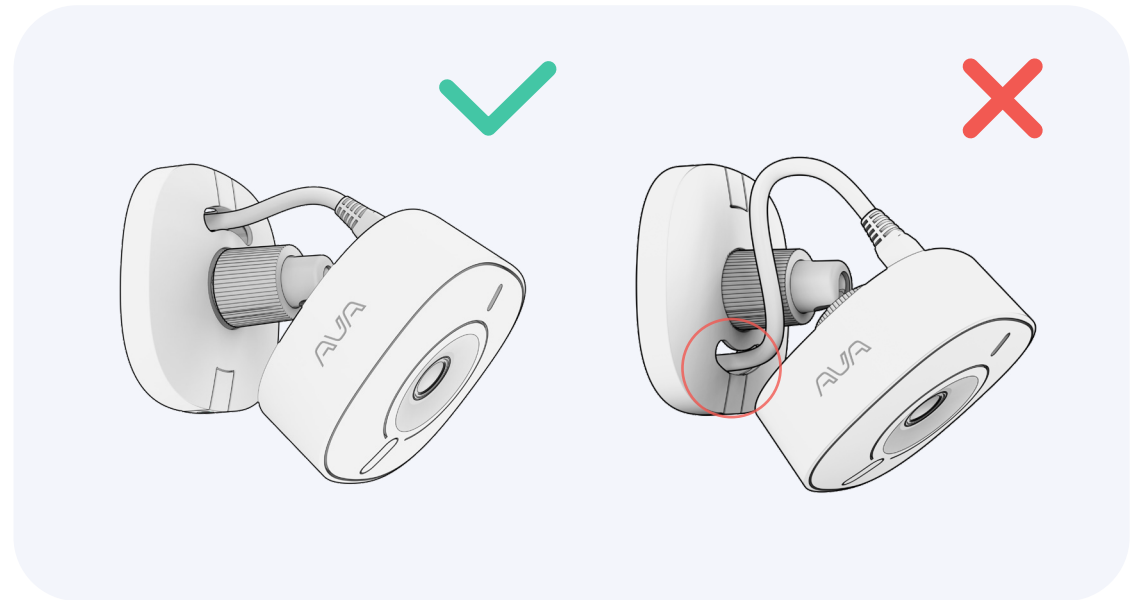
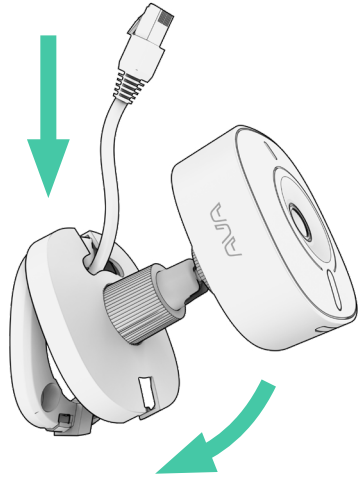


Dia: 6mm, [1/4"]

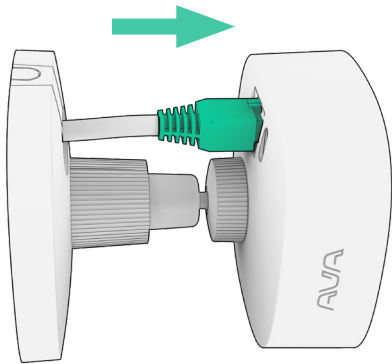
Depth: 40mm [1.5"]

# Attaching the camera and connecting the ethernet cable

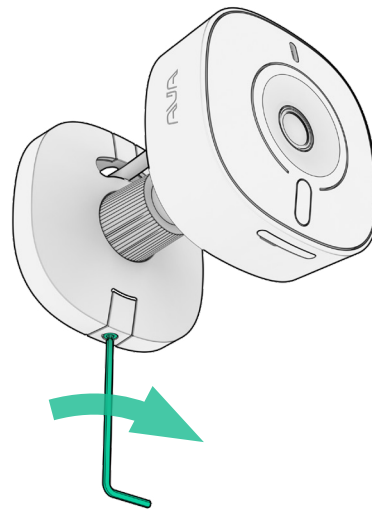
5



6

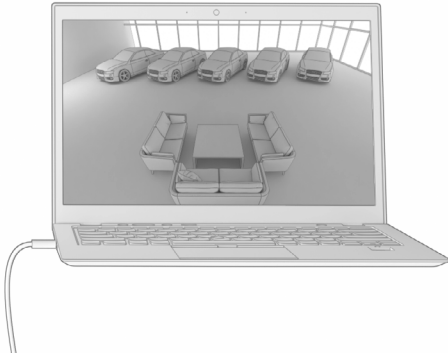


7



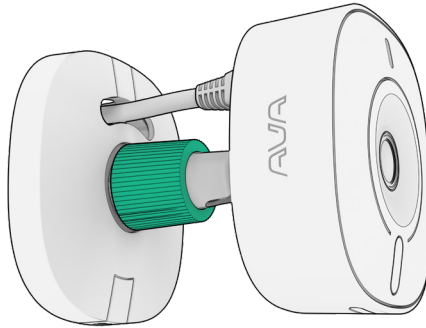
# Adjusting the ball joint and video stream

8

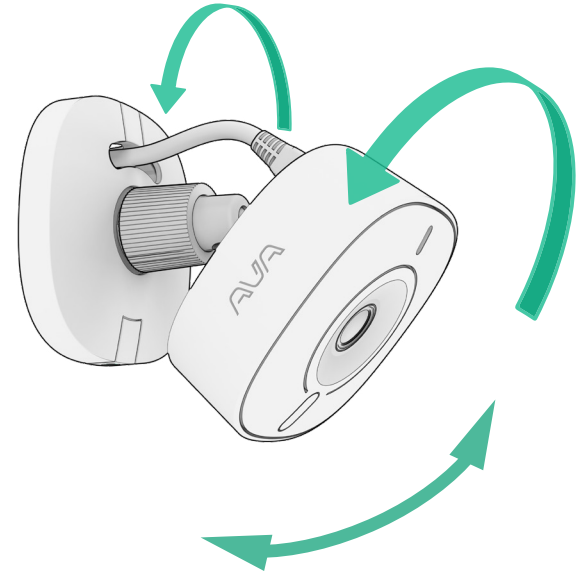


Adjust the image orientation in Ava Aware.

9



10



11

